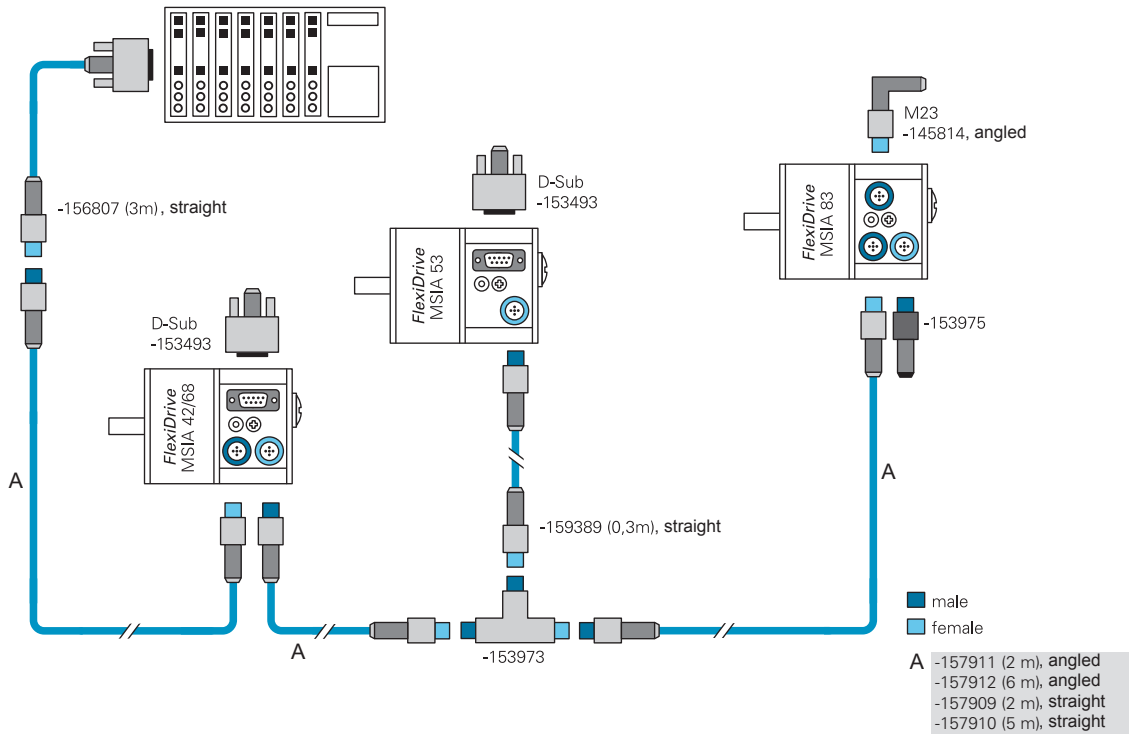


# Fieldbus wiring of actuator and positioning drives

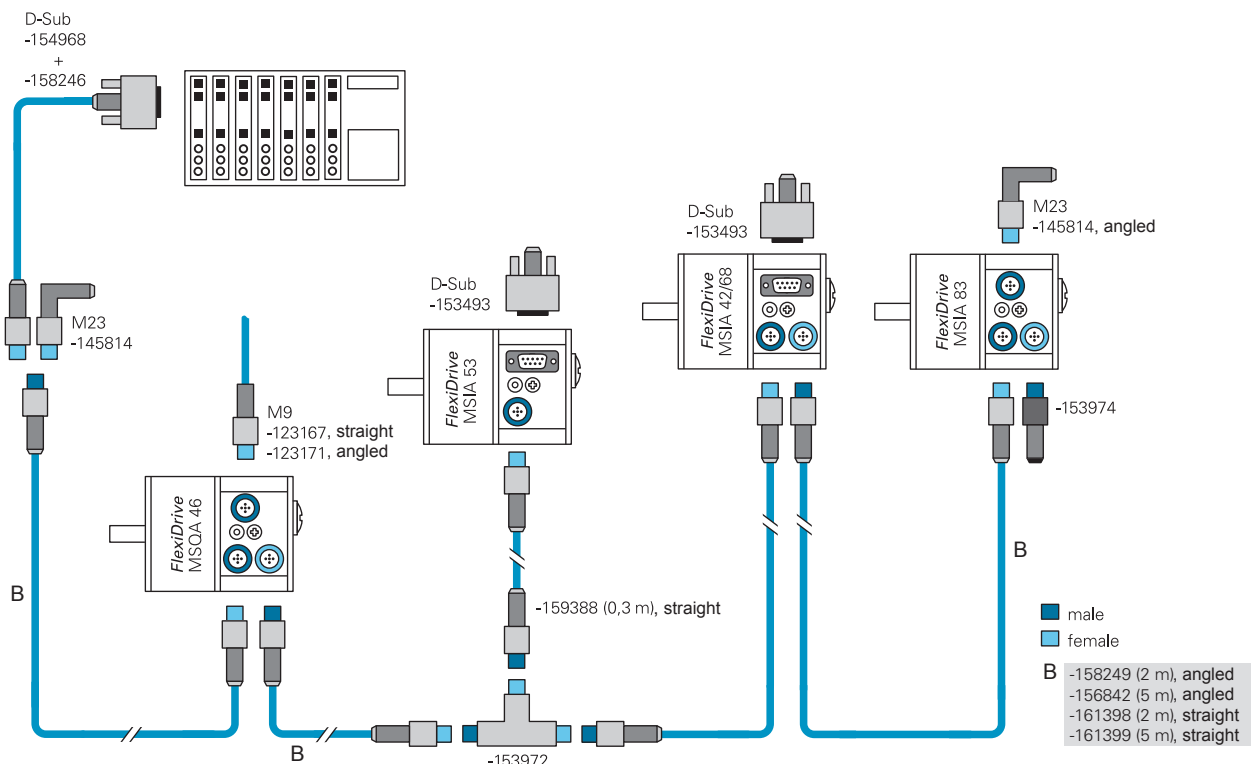
## FlexiDrive

fieldbus wiring (valid only for MSIA and MSQA)

Profibus-DP, M12 B-coded



CANopen, M12 A-coded



# Fieldbus accessories

## Profibus-DP

Premolded Profibus cable with M12 connector male/female (B-coded)

M12 male/female angled 2 m	ESW 33A/KSW 33AP0200G/P	part nr. 10157911
M12 male/female angled 6 m	ESW 33A/KSW 33AP0600G/P	part nr. 10157912
M12 male/female straight 0,3 m (spur)	ESW 33A/KSW 33AP0030G/P	part nr. 10159389
M12 male/female straight 2 m		part nr. 10157909
M12 male/female straight 5 m		part nr. 10157910
T-connector M12 Profibus (2 male / 1 female)		part nr. 10153973
terminator M12 Profibus		part nr. 10153975
protection cap M12		part nr. 10156808
USB-to-Profibus adaptor		part nr. 10154326
adaptor cable D-Sub (male) to M12 (female) straight 3 m		part nr. 10156807
CD-ROM with GSD-/EDS-/XML-files and manuals		part nr. 10147362
connector M12 for self-fabricating of Profibus wires (B-coded)		
M12 female straight		part nr. 10153970
M12 male straight		part nr. 10153971
M12 female angled		part nr. 10156585
M12 male angled		part nr. 10156555
M16 female straight		part nr. 10161157

## CANopen

Premolded CANopen cable with M12 connector male/female (A-coded)

M12 male/female angled 2 m	ESW 33A/KSW 33AP0200G/C	part nr. 10158249
M12 male/female angled 5 m	ESW 33A/KSW 33AP0500G/C	part nr. 10156842
M12 male/female straight 0,3 m (spur)	ESW 33A/KSW 33AP0030G/C	part nr. 10159388
M12 male/female straight 2 m		part nr. 10161398
M12 male/female straight 5 m		part nr. 10161399
T-connector M12 CAN (1 male / 2 female)		part nr. 10153972
terminator M12 CAN		part nr. 10153974
protection cap M12		part nr. 10156808
USB-to-CAN adaptor		part nr. 10147798
adaptor cable M12 (female) angled 2 m to open-end		part nr. 10158246
CD-ROM with GSD-/EDS-/XML-files and manuals		part nr. 10147362
connector M12 for self-fabricating of CANopen wires (A-coded)		
M12 female straight		part nr. 10153968
M12 male straight		part nr. 10153969
M12 female angled		part nr. 10145021
M12 male angled		part nr. 10156584
connector 9-pin D-Sub female angled (with terminator)		part nr. 10154968
connector 9-pin D-Sub female angled (without terminator)		part nr. 10145023
M16 female straight		part nr. 10161157

## EtherCAT

Prefabricated cable EtherCAT

M12 male/male straight 5 m		part nr. 10160565
----------------------------	--	-------------------

# Fieldbus accessories

## Voltage supply

prefabricated cable with screened connector M9 (female) to open-end:

connector M9 straight, screened 5 m cable	ES 62CB5	part nr. 10123167
connector M9 angled, screened 5 m cable	ES 61CB5	part nr. 10123171
connector D-Sub straight, female, 5 m		part nr. 10164870

connectors for self-fabrication:

connector 5-pin M12 female angled		part nr. 10145021
connector 5-pin M9 female straight		part nr. 10123144
connector 9-pin D-Sub female straight		part nr. 10153493
connector 9-pin M23 female angled		part nr. 10145814